

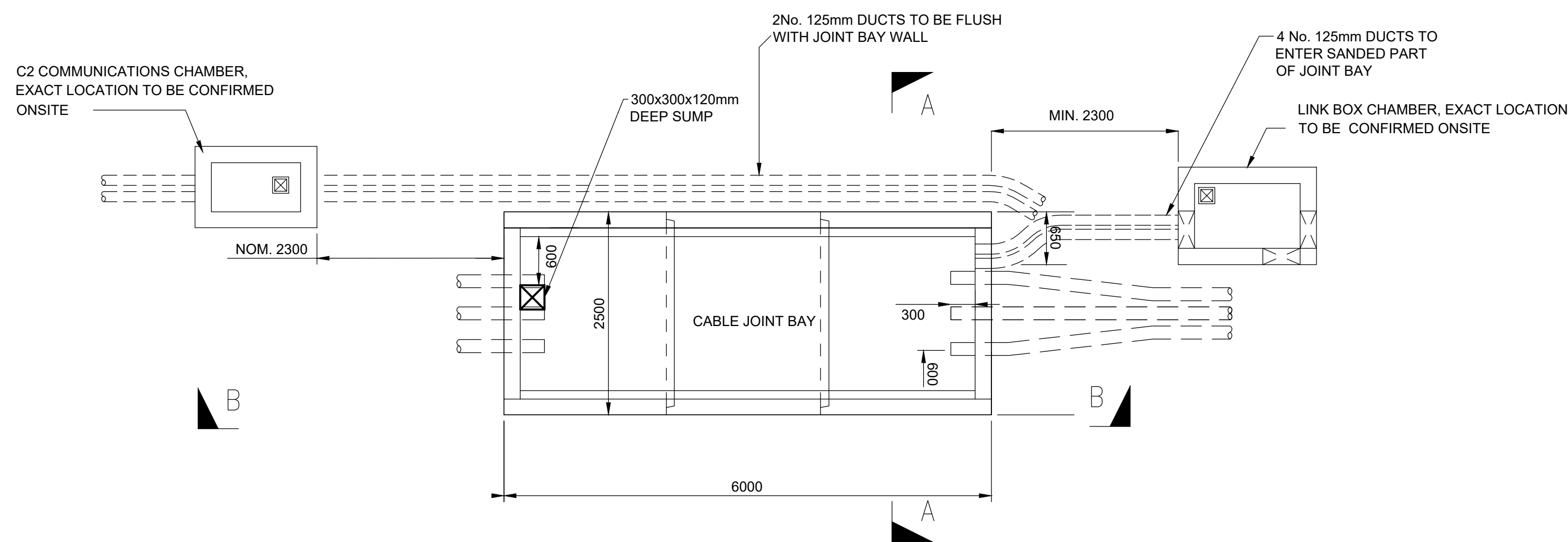
PROJECT

Castlebanny Wind Farm
 110kV Grid Connection

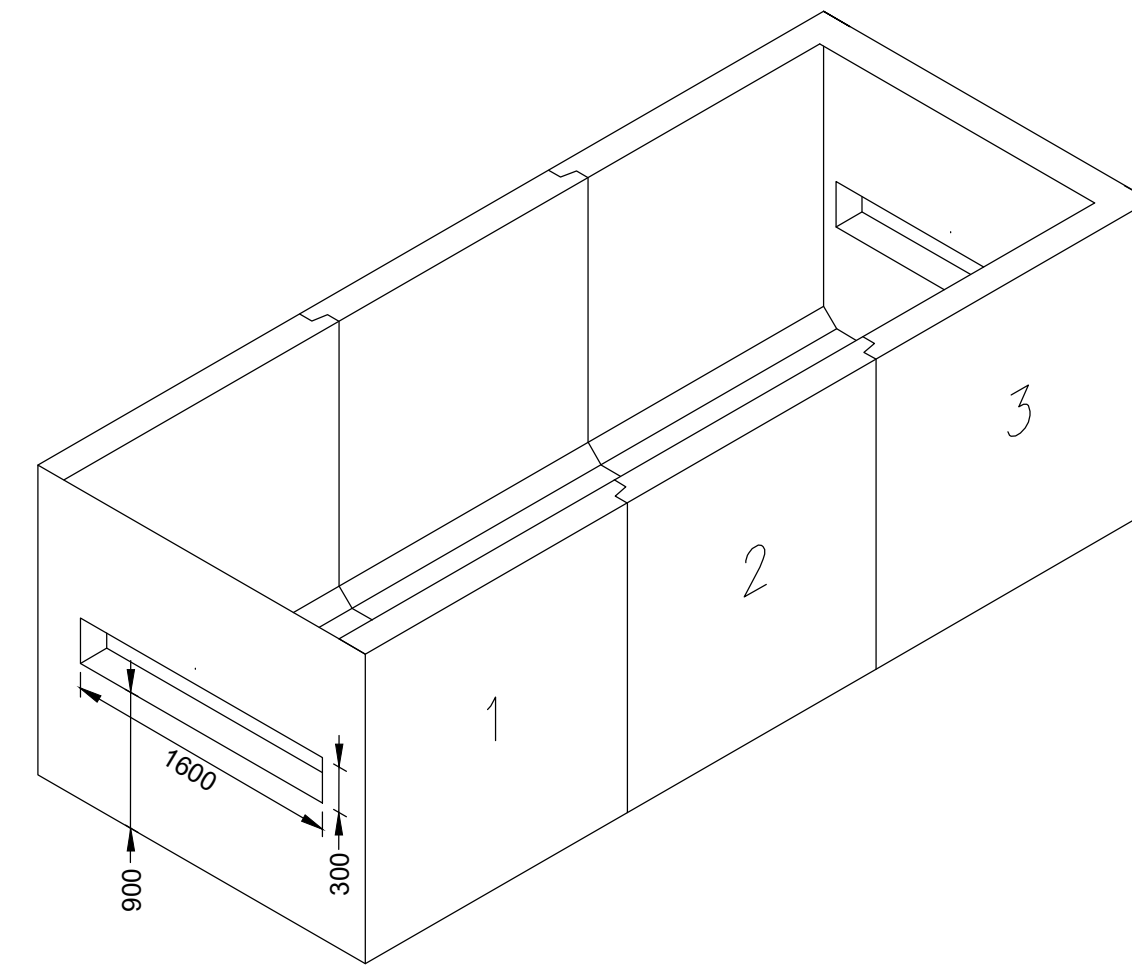
CLIENT



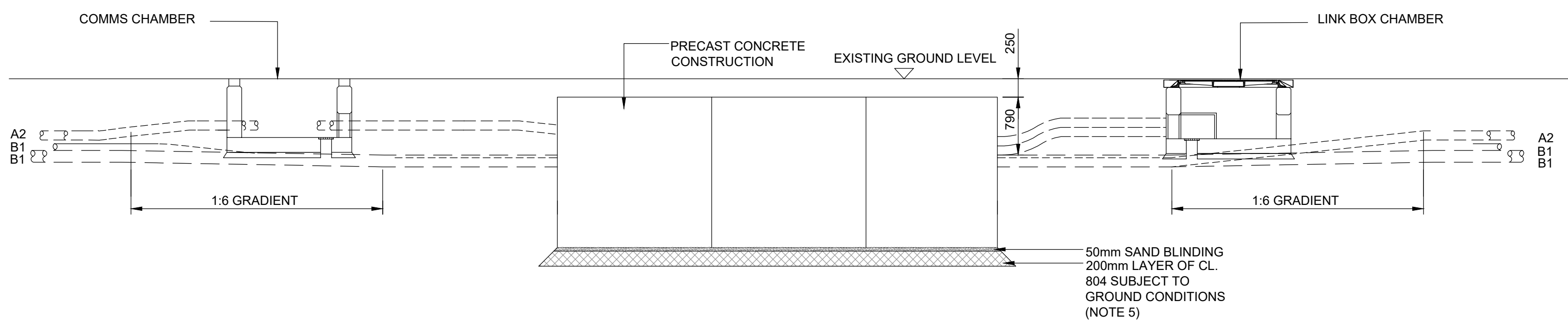
CONSULTANTS



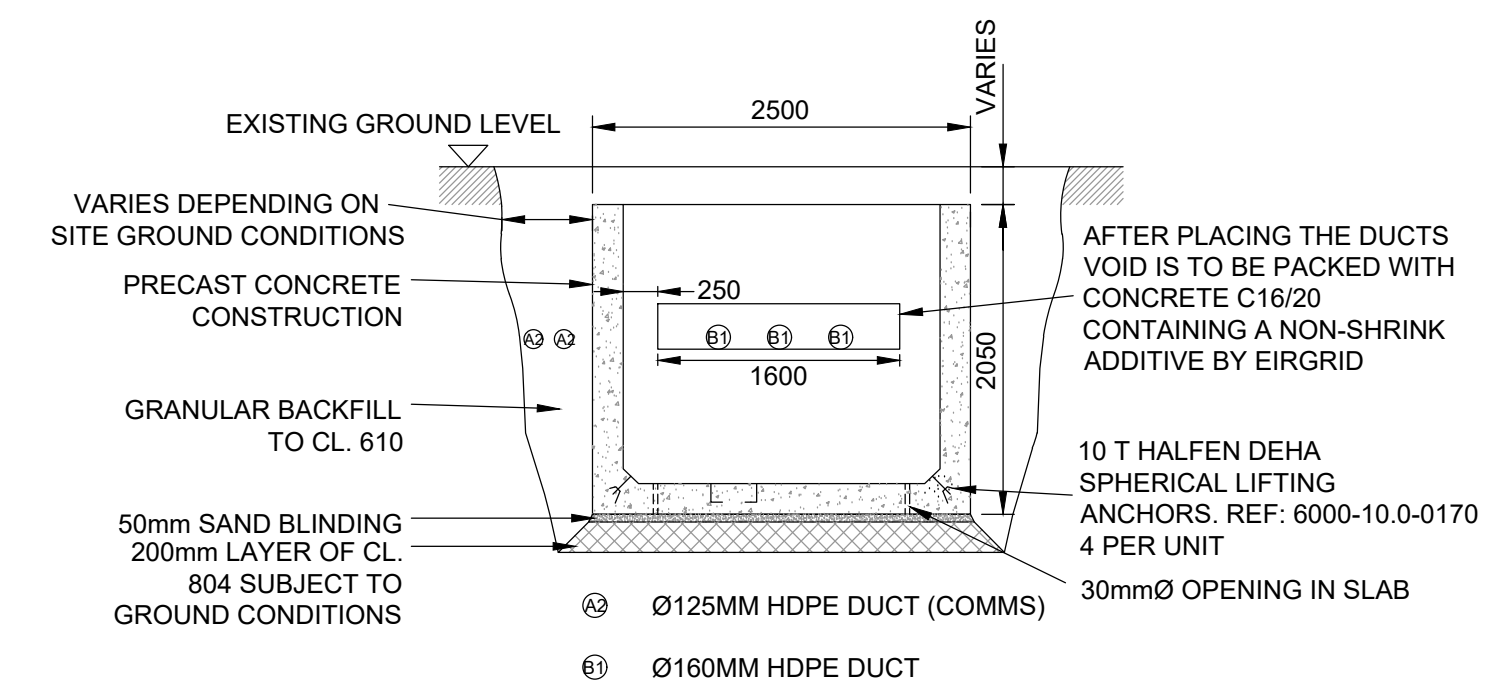
PLAN VIEW
 SCALE 1:50



ISOMETRIC VIEW PRECAST CHAMBER
 SCALE 1:50



SECTION B-B
 SCALE 1:50



SECTION A-A
 SCALE 1:50

- GENERAL NOTES:**
- THIS DESIGN IS SUBJECT TO EIRGRID DESIGN APPROVAL.
 - THIS DRAWING IS TO BE READ IN CONJUNCTION WITH ALL OTHER RELEVANT DOCUMENTATION.
 - DO NOT SCALE FROM THIS DRAWING, USE ONLY PRINTED DIMENSIONS.
 - ALL DIMENSIONS ARE IN MILLIMETRES UNLESS DEFINED OTHERWISE.
 - STANDARD FOUNDATIONS ARE BASED ON THE FORMATION AT THE BASE OF THE EXCAVATION SHOWN BEING SUITABLE FOR A MINIMUM BEARING PRESSURE OF 100kN/m². SUITABILITY OF STANDARD JOINT BAY FOUNDATIONS CAN ONLY BE CONFIRMED FOLLOWING GROUND INVESTIGATION. HAND VANE TESTS SHALL BE REQUIRED AS PER G1 SPECIFICATION. WHERE SPECIFIED MINIMUM BEARING PRESSURE IS NOT ACHIEVABLE, AND WHERE PEAT IS ENCOUNTERED, THE CONTRACTOR SHALL REFER TO THE ENGINEER FOR GUIDANCE.
 - THE LENGTH OF BONDING LEAD LENGTH SHALL IN NO CASE EXCEED 10M. NO JOINTS IN BONDING CABLE ARE PERMITTED.
 - ALL EARTHING SHALL BE IN ACCORDANCE WITH ENA ER C55 AND EIRGRID/ESBN FUNCTIONAL SPECIFICATION.
 - THE DEPTH FROM GROUND LEVEL TO THE TOP OF THE CONCRETE WALL SHALL BE
 - A. 500MM - IN CULTIVATED FIELDS & GRASS LAND
 - B. 300MM - IN PAVED ROADS AND GRASS VERGES
 - C. 350MM - IN PAVED CITY ROADS AND GRASS VERGES
 - LINK BOX CHAMBERS TO BE POSITIONED AT THE EDGE OR OFF ROAD
 - LINK BOX CHAMBERS AND C2 COMM CHAMBERS FINAL POSITIONING TO BE AGREED WITH EIRGRID PRIOR TO INSTALLATION

NOTES: -

- See General Notes

LEGEND: -

ISSUE/REVISION

I/R	DATE	DESCRIPTION
P02	16.12.20	Issued for Planning
P01	02.12.20	Issued for Planning
P00	08.09.20	Issued for Information

PROJECT NUMBER

05-699

SHEET TITLE

110kV Joint Bay General
 Arrangement and Details

SHEET NUMBER

05699-DR-107